

Top features

- Design merchandiser for perfect product presentation
- Existing in Essential, Premium and Self-Serve models
- Long holding time guaranteed

Standard characteristics

- Product temperature maintained at 2-5°C
- Reflector-enhanced PLL lighting for attractive promotion
- Hygienic and simple two-button control
- Hot and cold, full-serve and self-serve can be combined in one design
- Ergonomically designed for maximum operator convenience
- Available in curved and square glass
- Stainless steel interior and exterior
- Flat plate of 964 mm x 608 mm
- Premium: fitted with water evaporation system
- Premium and Essential: front glass lifts and closes easily on gas springs
- Premium and Self-Serve: reflective sliding doors at operator side

Accessories

- Cutting board
- Temperature indicator on customer side
- Mirrored sliding doors (standard on premium and self-serve)
- Matching stands

Optional

- Essential, premium or self-serve model
- Curved or square glass, hot or cold
- Water evaporation unit (standard on premium)



CD 5 curve full-serve



Cold Deli square



Control panel



Flat plate

Inline Merchandisers



Cold Deli 5 Essential | Premium | Self-Serve

The Cold Deli is available in 3, 4 and 5 GN-pan sizes, curved or square. Systems can be installed as drop-in versions in a counter or on a matching stand. For maximum flexibility, the unit is self-contained and can be installed anywhere a single-phase socket is available.

The Cold Deli Essential and Self-Serve are based on simplicity. All basic features are united in these cabinets without quality and finishing being compromised. These counters contain the perfect holding climate to keep your products fresh.

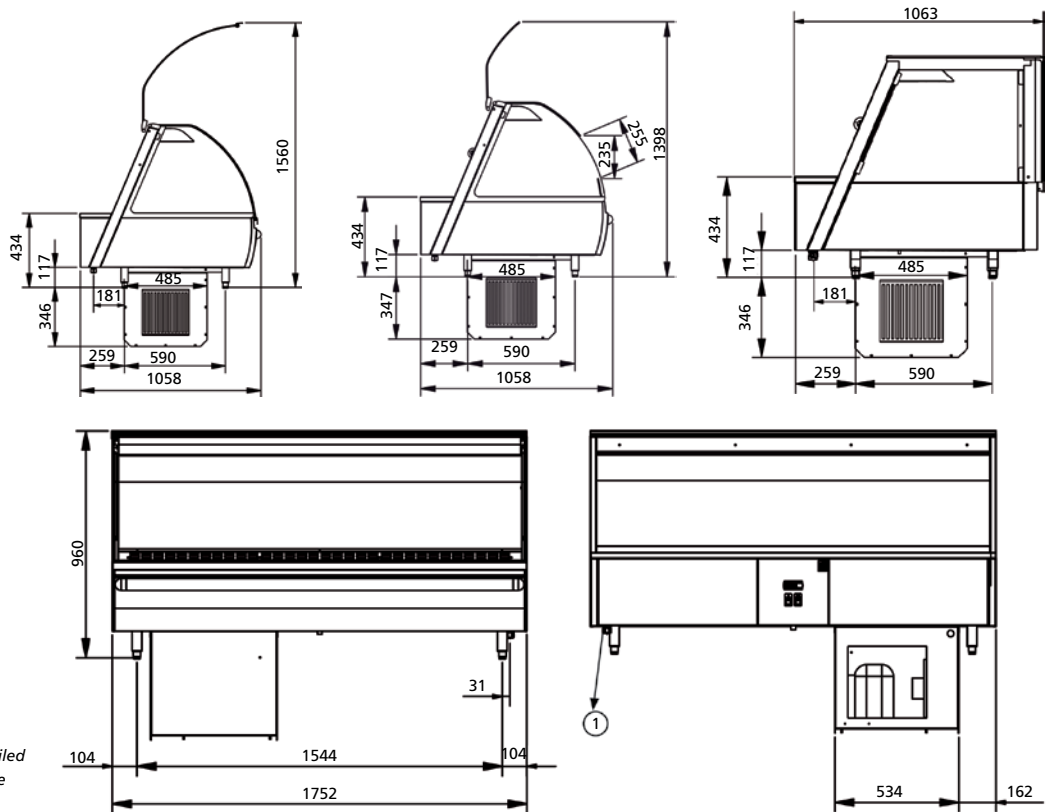
The Cold Deli Premium is complete in functionality. The mild airflow enables you to hold and display the most versatile food products with different holding requirements. It has a water evaporation system and mirrored sliding doors. Combine the Cold Deli with the Hot Deli to display both your hot and cold food products in one matching design.

Mouth-watering display



	CD Essential	CD Premium	CD Self-Serve
Full serve operation	■	■	
Self serve operation			■
Available in curved glass or square glass	■	■	■
Front glass lifts on gas springs	■	■	
Two-button control panel	■	■	■
Flat plate standard	■	■	■
Panframe standard	optional	optional	optional
Mirrored sliding rear doors	optional	■	■
Water evaporation system	optional	■	optional
Cutting board	optional	optional	optional
Temperature indicator	optional	optional	optional

- Item Description
1 Power cable 2.5 m



These are basic drawings. For more detailed technical information, please refer to the installation manual at www.frijado.com.

	CD 5 Essential	CD 5 Premium	CD 5 Self-Serve
Width	1752 mm	1752 mm	1752 mm
Depth	1058 mm	1058 mm	1058 mm
Height	1307 mm	1307 mm	1307 mm
Height on stand	1420 mm	1420 mm	1420 mm
Height on low stand	1300 mm	1300 mm	1300 mm
Net weight	265 kg	305 kg	275 kg
Gross weight	312 kg	359 kg	324 kg
Voltage	1N~230 V	1N~230 V	1N~230 V
Frequency	50 Hz	50 Hz	50 Hz
Power	1.2 kW	1.8 kW	1.2 kW
Temperature class	3M1	3M1	2M2
Refrigerant	R404A	R404A	R404A